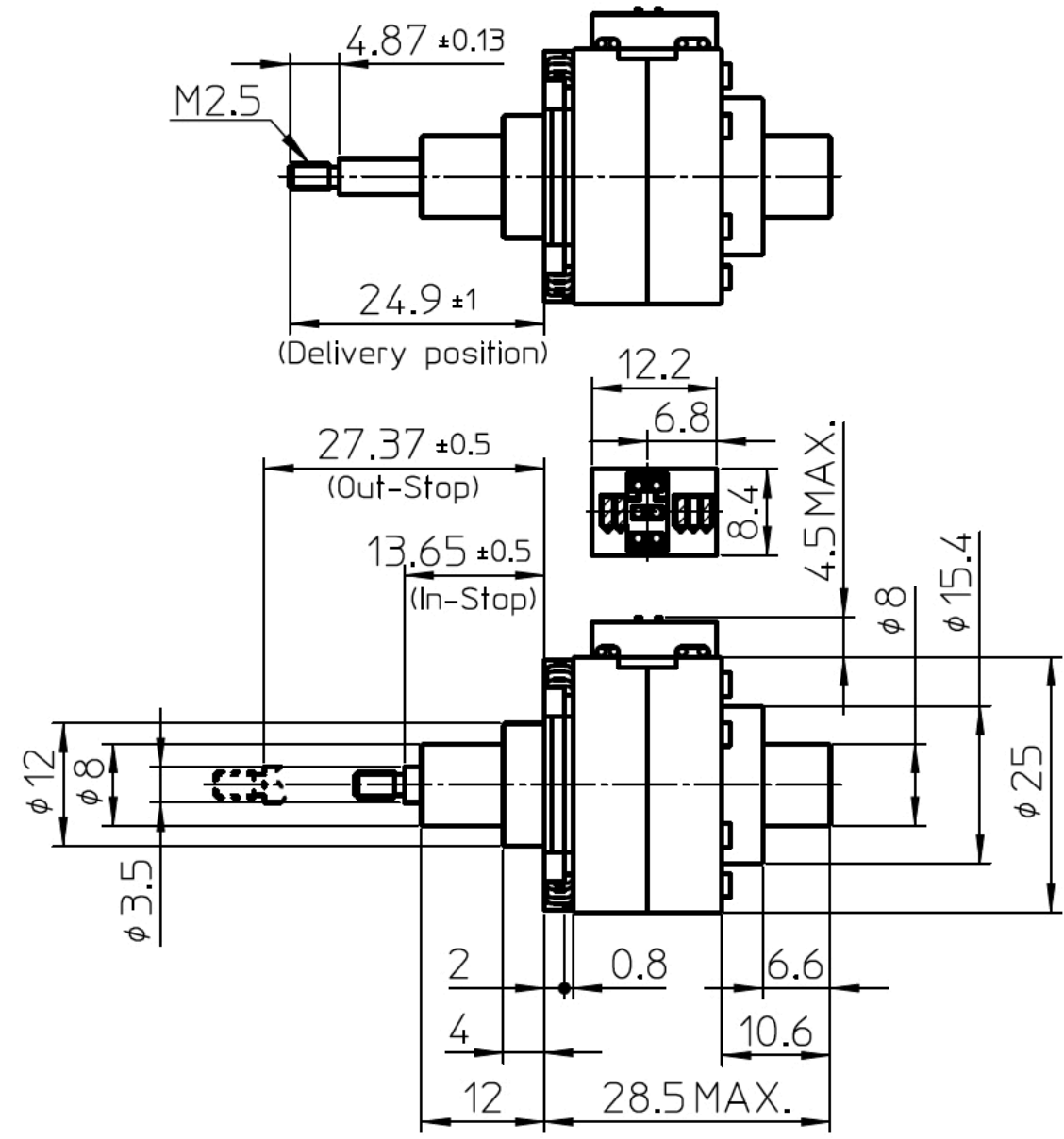
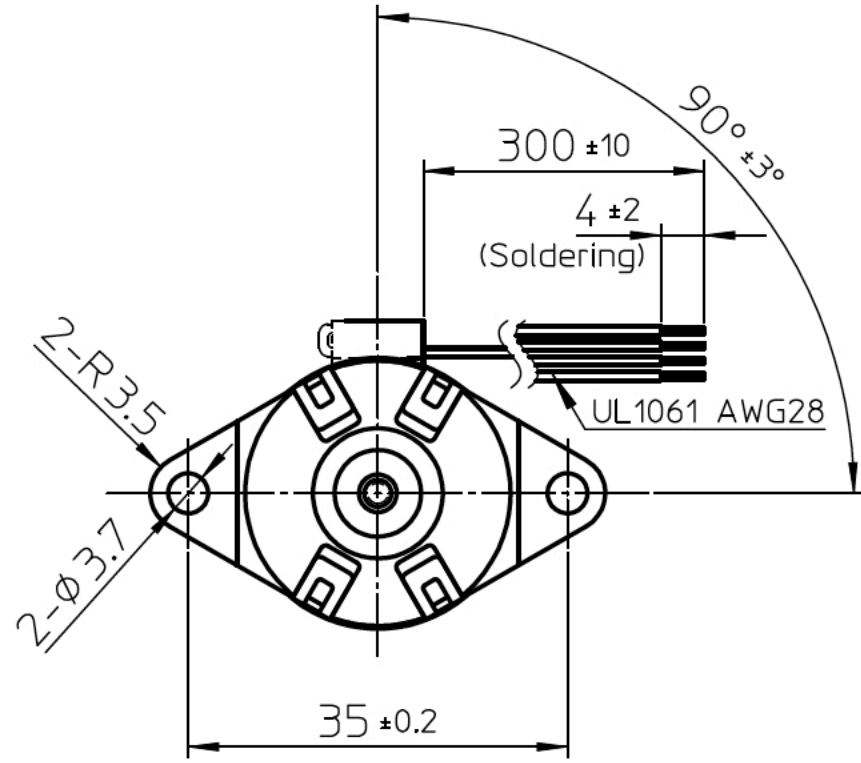


WIRE COLOR CODE

WIRE COLOR	MOTOR
BLACK	A1
BROWN	A3
ORANGE	B1
YELLOW	B3

STEP	COLOR			
	BLACK	BROWN	ORANGE	YELLOW
1	-	+	+	-
2	-	+	-	+
3	+	-	-	+
4	+	-	+	-

SWITCHING SEQUENCE  
(VIEWED FROM MOUNTING SURFACE)



TA9716□  
PROJECT CODE T:THAILAND H:JAPAN  
SHIFT CODE(A,B,C)  
YEAR : TAILS OF WESTERN CALENDER  
MONTH : 1~9,X(OCT),Y(NOV),Z(DEC)  
DAY : 01~31  
Rev.NO.(STEPPING MOTOR)

<LOT NO.>

±0.3mm

No indicated tol. shall be ±0.3mm

Pitch / Step : 0.0254mm at 2-2 Phase ON

						UNIT	MATERIAL	DATE JUL./16/'19	
						mm		SURF.ROUGH.	DESCRIPTION
						SCALE	HEAT TREAT.		MECHANICAL CONSTRUCTION
						1 : 1		FINISH	PART NO.(MODEL NO.)
					APPROVED	CHECKED	DRAWN		PART NO.(MODEL NO.)
								CLA-25	
								DRAWING NO.	REV.
								CLA-25	
MARK	DATE	REASON	ECN NO.	ENGINEER APPROVED					

TOL	L	UNIT
	L ≤ 4	±0.1
	4 < L ≤ 16	±0.2
	16 < L ≤ 63	±0.3
	63 < L ≤ 250	±0.5
	250 < L ≤ 1000	±0.8
	DEG	±0.5